

General Purpose Solenoid Valves



Series 90

2 Way - Diaphragm Pilot Operated with Pneumatic Command

Normally Closed

3/8", 1/2" and 3/4" NPT/G

Viscous and Colloidal Media

Standard Materials

Valve Body:	Brass
Seals:	Buna-N (NBR)
Plunger and Stop:	430 F S.S.
Springs:	302 S.S.
Shading Coil:	Copper
Coil:	Class "F"

Options (Add the suffixes after the voltage)

Seals

- Viton (FKM), use suffix "V".
 - Ethylene Propylene (EPDM), use suffix "P".
 - Neoprene (CR), use suffix "N".
-

Enclosure

- Explosion proof (Nema 7 and 9), use suffix "X".
-

Others

- "G" thread, use suffix "B".
 - Degrease wash, use suffix "I".
-

Installation

- Valves can be mounted in position without jeopardising their operation.
-

Pneumatic Command

- Pilot diaphragm of the main valve: Hypalon
-

Oxygen

- Use suffix "I" and seals in neoprene (CR).
-

General Purpose Solenoid Valves

Two Way - Normally Closed - AC

Body and Seals: Brass and NBR (For other options see page 60)

Specifications										Part Number
Port Size (NPT)	Orifice Diameter (mm)	Cv	Operating Differential Pressure				Media Maximum Temperature (°C)	Coil Power AC (WATT)	Drawing Nº	General Purpose
			Main Line		Main Line					
			Minimum (bar)	Maximum (M.O.D.P.) bar	Minimum (bar)	Maximum (bar)				
3/8	19	4	1.0	6.0	* 1,0	6.5	80	8	1	90CF20ZXX
1/2	19	5	1.0	6.0	* 1,0	6.5	80	8	1	90DF20ZXX
3/4	19	6	1.0	6.0	* 1,0	6.5	80	8	1	90EF20ZXX

Voltage (V/Hz)	Suffix XX
24/60	TA
110/60	S
220/60	SA

- **Notes:** 1) The pilot valve sizes 1/8" NPT.
 * 2) The pressure in the pilot must be at least equal to the pressure of the main line.
 3) If LED and surge supressor are necessary, modify the seventh digit from "Z" to "J".

Two Way - Normally Closed - DC

Body and Seals: Brass and NBR (For other options see page 60)

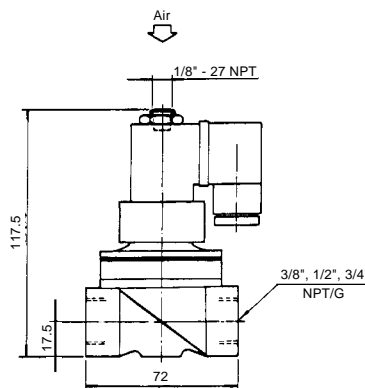
Specifications										Part Number
Port Size (NPT)	Orifice Diameter (mm)	Cv	Operating Differential Pressure				Media Maximum Temperature (°C)	Coil Power AC (WATT)	Drawing Nº	General Purpose
			Main Line		Main Line					
			Minimum (bar)	Maximum (M.O.D.P.) bar	Minimum (bar)	Maximum (bar)				
3/8	19	4	1.0	6.0	* 1.0	6.5	80	10	1	90CF200XX
1/2	19	5	1.0	6.0	* 1.0	6.5	80	10	1	90DF200XX
3/4	19	6	1.0	6.0	* 1.0	6.5	80	10	1	90EF200XX

Voltage (VDC)	Suffix XX
12	TH
24	TF

- **Notes:** 1) The pilot valve sizes 1/8" NPT.
 * 2) The pressure in the pilot must be at least equal to the pressure of the main line.
 3) If LED and surge supressor are necessary, modify the seventh digit from "Z" to "J".

Dimension

Drawing 1



How to Order Repair Kits

K 9 0

Repair Kit for Series 90

□

Port Size (NPT/G)

Q 3/8", 1/2" and 3/4"

□

Function

F NC

□

Seals

B	NBR
V	FKM
P	EPDM
N	CR

General Purpose Solenoid Valves



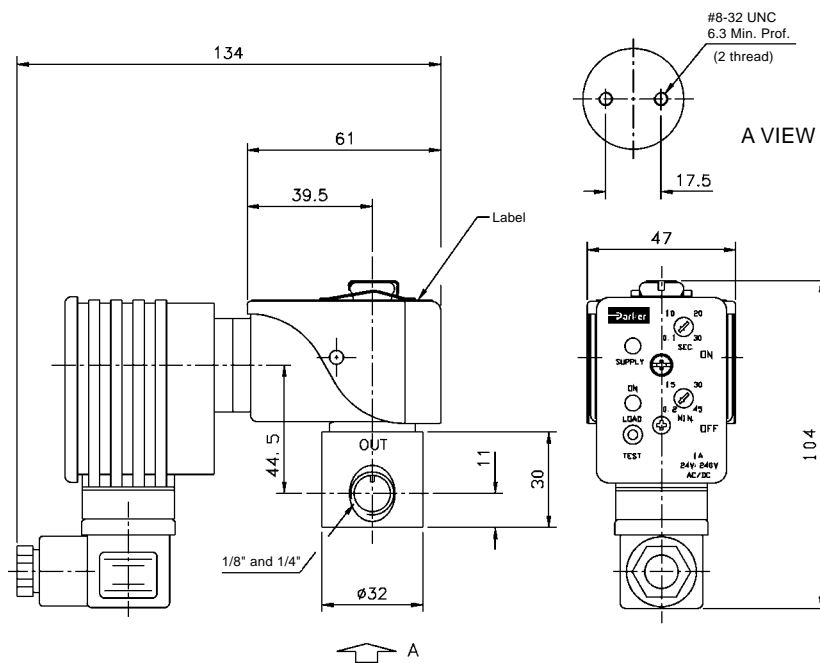
Electronic Drain

Technical Characteristics

Port Size:	1/8" and 1/4" NPT/G
Frequency:	0,2 to 45 minutes
Period:	0,1 to 30 seconds
Voltage:	24V/60Hz, 120/60Hz - 110V/50Hz 240V/60Hz-220V/50Hz
Ambient Temperature:	-10°C (14°F) to 60°C (140°F)
Maximum Current:	1A
Degree of Protection:	IP65
Electrical Connectors:	DIN 43650
Differential Pressure:	Minimum - Zero Maximum - 10 bar
Condensed Maximum Temperature:	80°C (176°F)

Dimensions

Drawing 1



How to Order The Electronic Drain

D E

Port Size	
A	1/8"
B	1/4"

Thread	
N	NPT
B	BSP

Voltage	
TA	24/60 Hz
NY	120/60 Hz 110/50 Hz
NZ	240/60 Hz 220/50 Hz

Notes:

- Repair Kit (Only for the solenoid valve) K20BFBCG
- Coil

24V/60 Hz	reference BD06-011-C01C
120V/60 Hz 110V/50 Hz	reference BD06-011-C05C
240V/60 Hz 220V/50 Hz	reference BD06-011-C15C

 For other voltage, please consult our office.
- There is not repair kit for the timer.
- The solenoid valve may be substituted, so that other Cv, voltage, port sizes and seals are also available. Please consult our office.